

## PIANO SATINEE

Mixer Taps

Code: R499 A00

MITIGEUR PPIANO INOX



### DETAILS

Mixer type Single-lever mixer tap with rotating, collapsible barrel (Up&Down), with remote control.

Material Brass

Texture Brushed in line

Rotating angle 360°

Strengthening plate Ø44 mm

Cartridge With ceramic discs

Holes distance See "Cut out drawing"

Double hole requested Necessary

Mixer hole ø35 mm

Max worktop thickness 40 mm

---

## FEATURES

**COLLAPSIBLE BARREL** Feature that makes it possible to foresee the sink in front of a window, so as to enjoy the natural light.

---

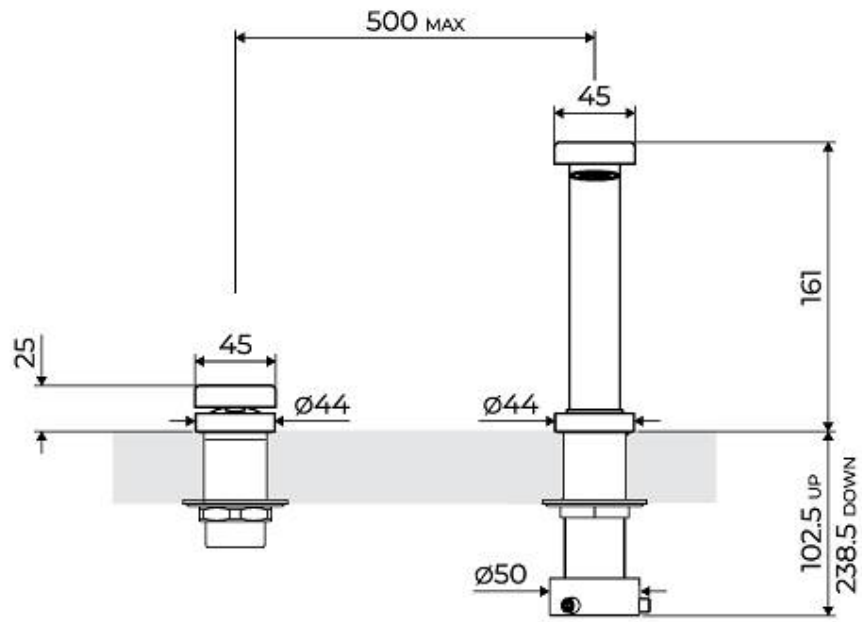
**Rotating angle** All the taps have a wide angle of rotation. Some models even permit a full 360° rotation.

---

**Strengthening plate** Foster's mixer taps are equipped with the strengthening plate that offers perfect stability on any sink.

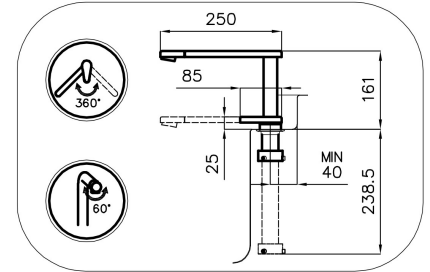
---

## TECHNICAL DATA

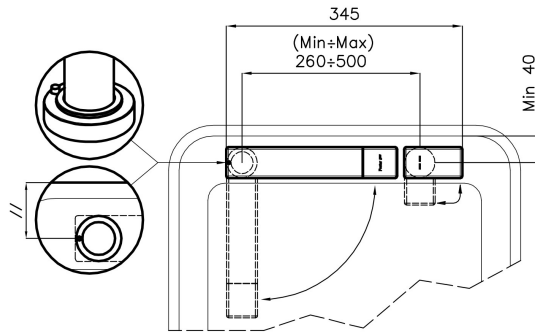


## Eclipse - 8499 000

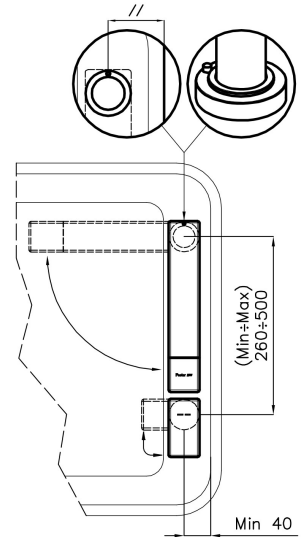
### Installation sheet - Foglio installazione



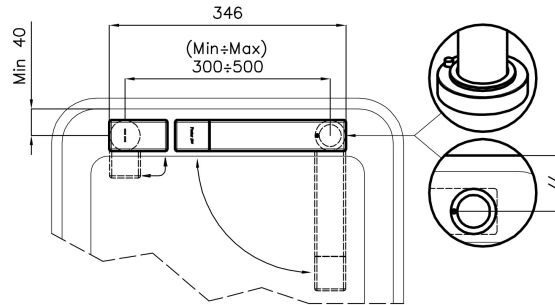
Front side—Mixer tap on the left  
 Lato frontale—Miscelatore a sinistra



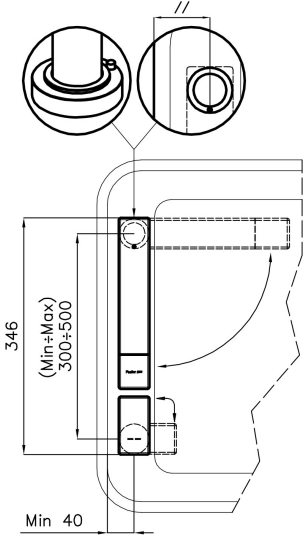
Right side  
 Lato destro



Front side—Mixer tap on the right  
 Lato frontale—Miscelatore a destra



Left side  
 Lato sinistro



## GALLERY

